

ASSEMBLY AND INSTALLATION INSTRUCTIONS

W0333 / W0334

WARNING: TO AVOID RISK OF ELECTRICAL SHOCK, BE SURE TO SHUT OFF POWER BEFORE INSTALLING OR SERVICING THIS FIXTURE.

NOTES: 1. Before installing, consult local electrical codes for wiring and grounding requirements.
2. READ AND SAVE THESE INSTRUCTIONS.

Hardware Package (included):



Mounting plate (A)



Mounting Screw (B)



Wire Connector (C)



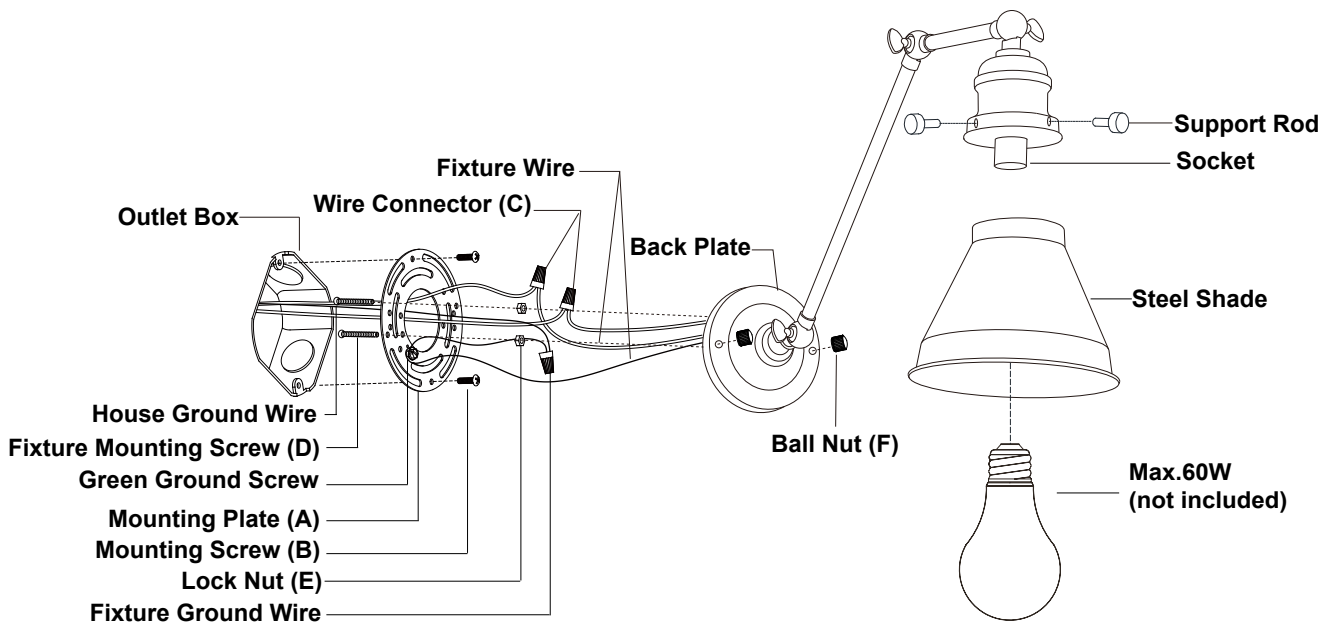
Fixture Mounting Screw (D)



Lock Nut (E)



Ball Nut (F)



Turn off the power at fuse or circuit box

1. Mounting the mounting plate
 - a. Thread the fixture mounting screws (D) into the provided holes of the mounting plate (A).
 - b. Thread the lock nuts (E) onto the fixture mounting screws (D). Do not tighten the lock nuts (E) at this time.
 - c. Pull the supply wires out from the outlet box and mount the mounting plate (A) to the outlet box using the mounting screws (B).
 - d. Place the back plate over the outlet box and onto the fixture mounting screws (D).
 - e. Adjust the fixture mounting screws (D) until they protrude out from the back plate 1/4 in.
 - f. Remove the back plate and secure the position of the fixture mounting screws (D) by tightening the lock nuts (E) against the mounting plate (A).

2. Connecting the wires

Note: If you have electrical questions consult your local electrical code for approved ground methods.

- Connect the black supply wire to the black fixture wire using a wire connector (C).
- Connect the white supply wire to the white fixture wire using a wire connector (C).
- Loop the supply ground wire around the ground screw on the mounting plate (A) and tighten it in place.
- Connect the fixture's ground wire to the supply ground wire using a wire connector (C).
- Wrap all wire connections with electrical tape for a more secure connection.

3. Mounting the fixture

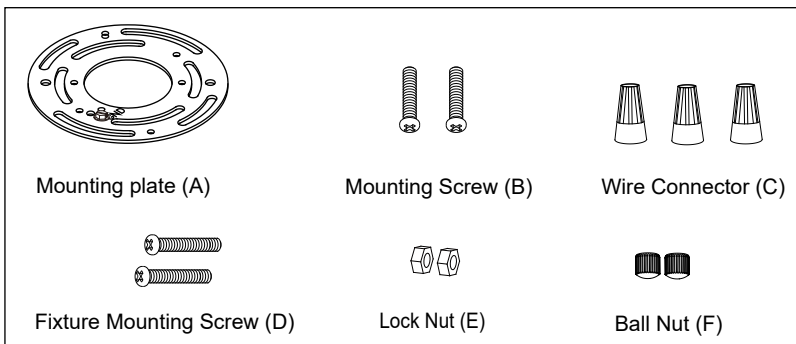
- Place the back plate onto the fixture mounting screws (D).
- Secure the back plate into place by using the ball nuts (F).
- Attach the steel shade to the fixture and secure it with three support rods.

4. Install a Max.60W bulb (not included).

Turn on the power at fuse or circuit box

The following parts are available for re-order if damaged or missing.

Spare Parts List:



→ Mounting Hardware
6023MM for W0333 (SN)
6024MM for W0334 (ORB)

Support Rod
3185RD (3 PCS) for W0333 (SN)
3186RD (3 PCS) for W0334 (ORB)

