

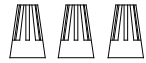
ASSEMBLY AND INSTALLATION INSTRUCTIONS

W0322

WARNING: TO AVOID RISK OF ELECTRICAL SHOCK, BE SURE TO SHUT OFF POWER BEFORE INSTALLING OR SERVICING THIS FIXTURE.

NOTES: 1. Before installing, consult local electrical codes for wiring and grounding requirements.
2. READ AND SAVE THESE INSTRUCTIONS.

Hardware Package (included):



Wire Connector (A)



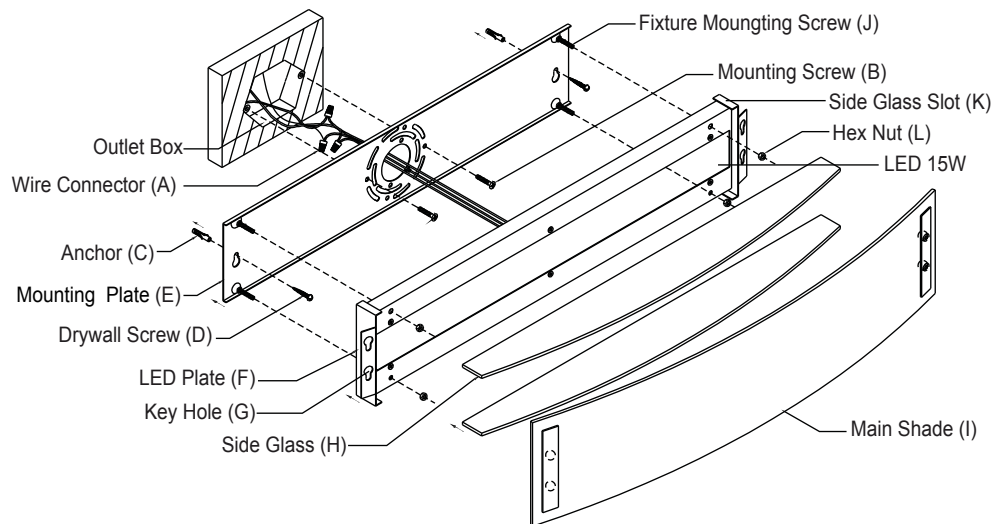
Mounting Screw (B)



Anchor (C)



Drywall Screw (D)



Installation Steps

Turn off the power at fuse or circuit box.

1. Mounting the mounting plate (E)

Remove four hex nuts (L) to separate the mounting plate (E) from fixture.

a) For wooden material:

Attach the mounting plate (E) to the outlet box by using two mounting screws (B), and then secure the drywall screws (D) through the set holes to the wall.

b) For cement and drywall materials :

Hold the mounting plate (E) to the outlet box and mark the outermost set holes on the wall surface for drilling.

Remove the mounting plate (E) from the outlet box. Drill both holes. Thread the anchors (C) into the holes, and then attach the mounting plate (E) to the outlet box by using two mounting screws (B). Secure the drywall screws (D) through the set holes into the anchors (C).

2. Connecting the wires

Note: If you have electrical questions consult your local electrical code for approved ground methods.

a. Connect the black supply wire to the black fixture wire using a wire connector (A).

b. Connect the white supply wire to the white fixture wire using a wire connector (A).

c. Loop the supply ground wire around the ground screw on the mounting plate (E) and tighten it in place.

d. Connect the fixture's ground wire to the supply ground wire using a wire connector (A).

f. Wrap all wire connections with electrical tape for a more secure connection.

3. Mounting the fixture

a. Place the LED plate (F) onto the fixture screws (J) on the mounting plate (E) then secure it with four hex nuts (L).

b. Insert two side glasses (H) in the side glass slots (K) which is on the edge of the LED plate (F).

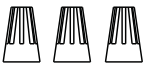

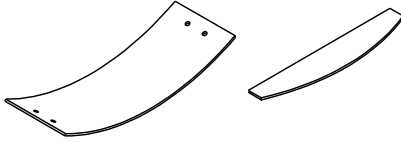


c. Attach the main glass (I) to the four key holes (G) which is on the LED plate (F).

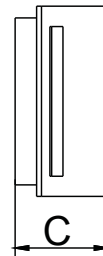
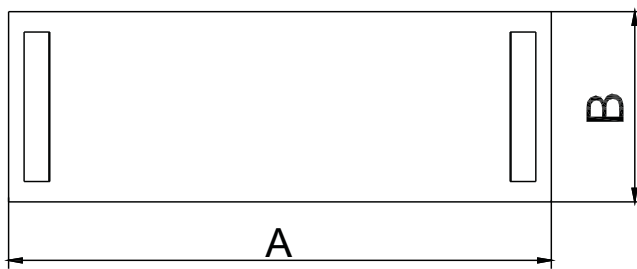
Turn on the power at fuse or circuit box.

Note: Suggested dimmers are Lutron: MSCL-OP153MH, MACL-153MH, DVWCL-153PH, TGCL-153PH, SCL-153PH.

The following parts are available for re-order if damaged or missing.

Spare Parts List:

 Wire Connector (A)	 Mounting Screw (B)	6033 MM	
 Anchor (C)	 Drywall Screw (D)		



- A: 16"
- B: 5-1/2"
- C: 2-3/4"